

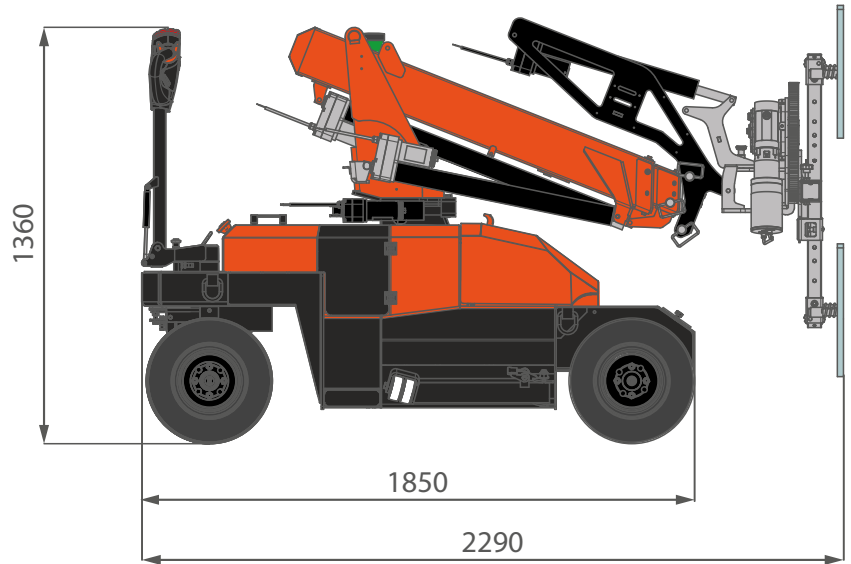
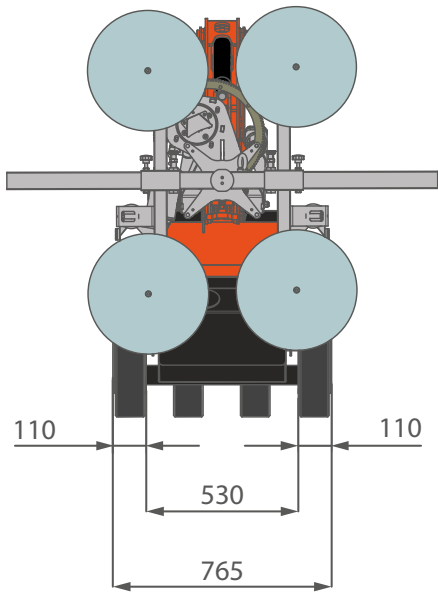


Technical Data

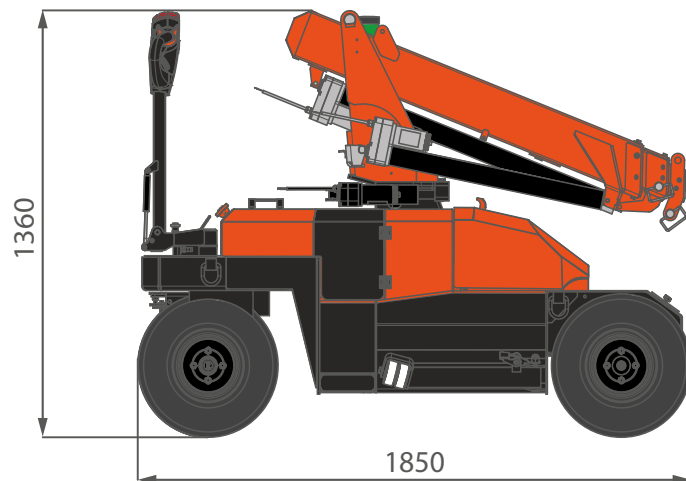
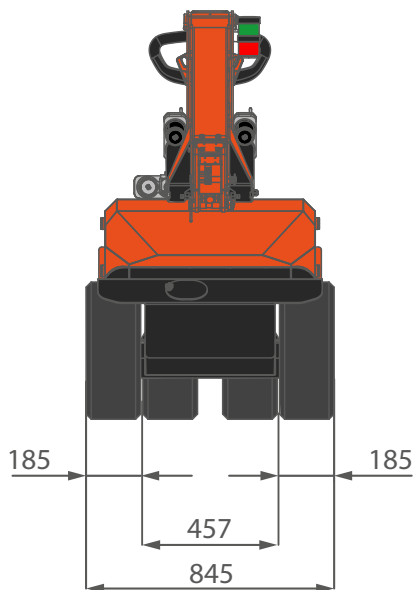
Specification & Capacities

MPK06V MPK06.2V

OVERALL DIMENSIONS MPK06V



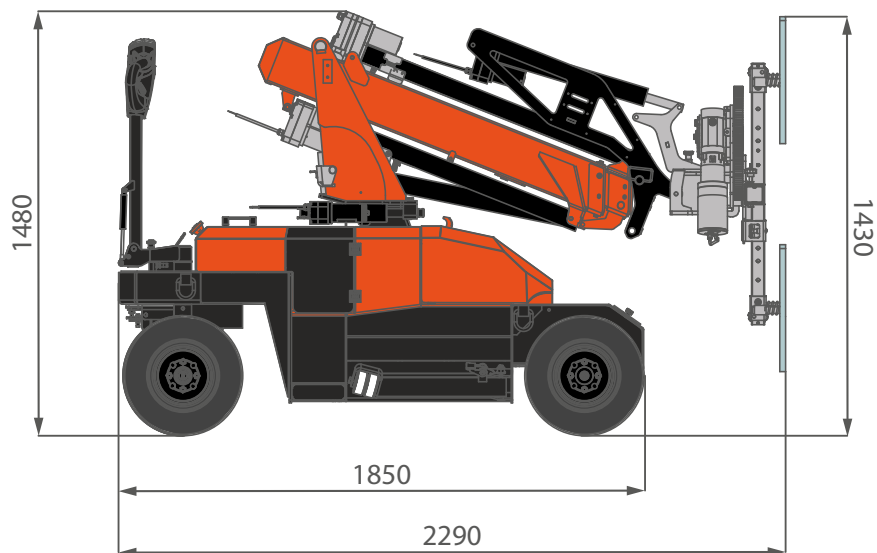
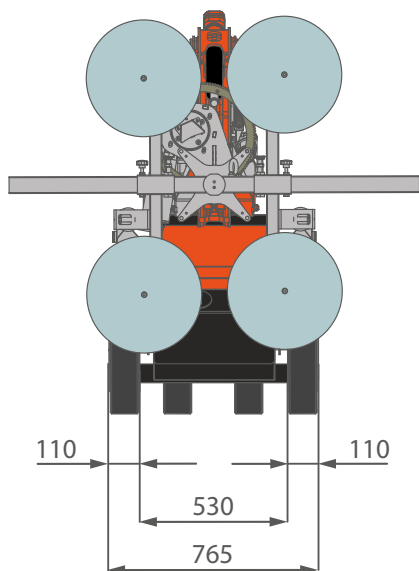
INDOOR WHEELS



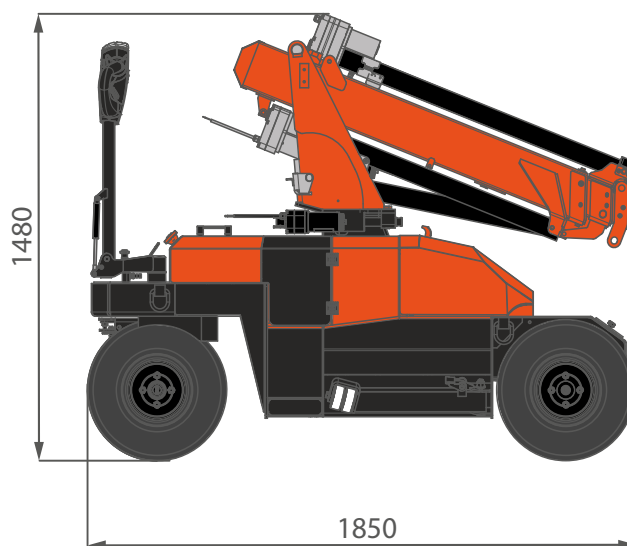
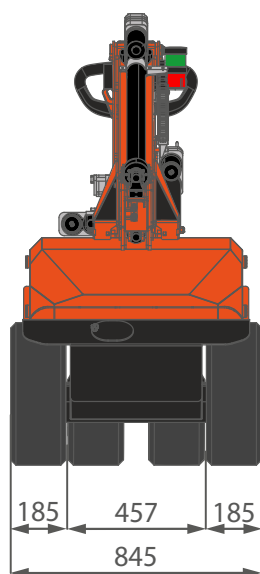
OUTDOOR WHEELS

[mm]

MPK06.2V



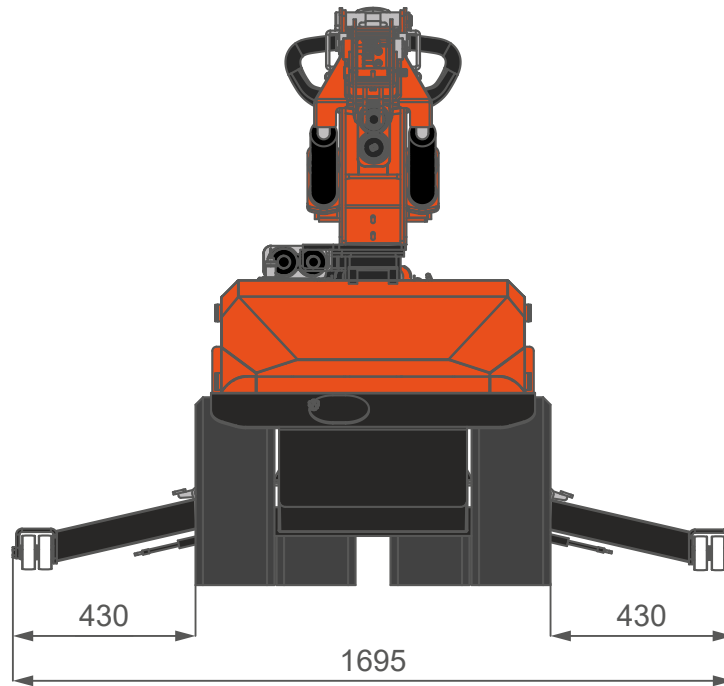
INDOOR WHEELS



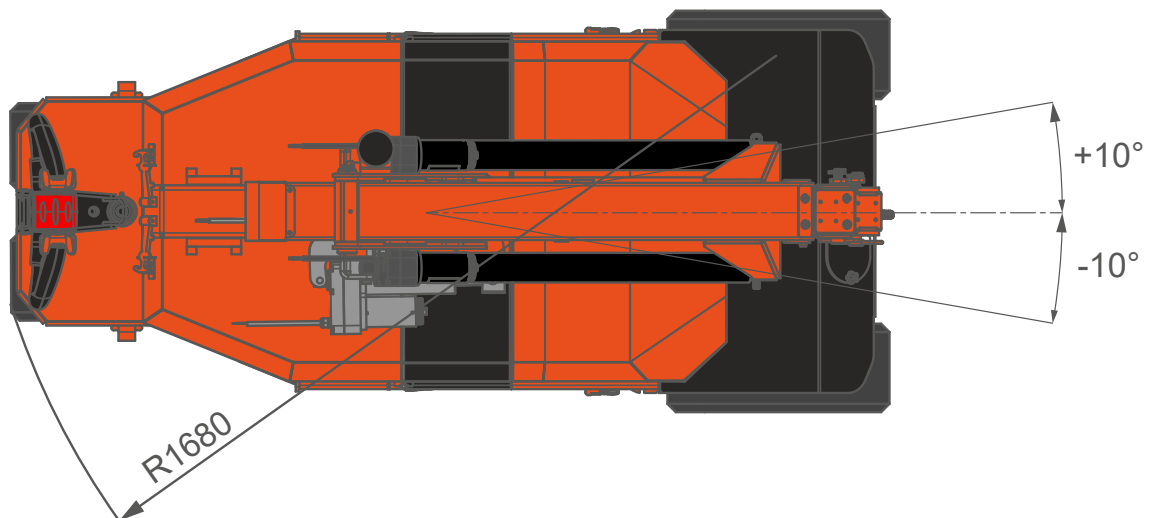
OUTDOOR WHEELS

[mm]

OVERALL DIMENSIONS
MPK06V/MPK06.2V
OUTRIGGER ON SIDE







BOOM SWING















[mm]

OVERALL INFORMATION

| MPK006 | | Name/ version | kg | |
|--------|---|------------------|------------------|-----|
| |  | Minipicker | MPK06V | 709 |
| |  | Counterweight | CW1 (into frame) | 40 |
| | | | CW2 (into hood) | 151 |
| TOTAL | | | 900 | |

| MPK006.2 | | Name/ version | kg | |
|----------|---|------------------|------------------|-----|
| |  | Minipicker | MPK06.2V | 724 |
| |  | Counterweight | CW1 (into frame) | 40 |
| | | | CW2 (into hood) | 151 |
| TOTAL | | | 915 | |

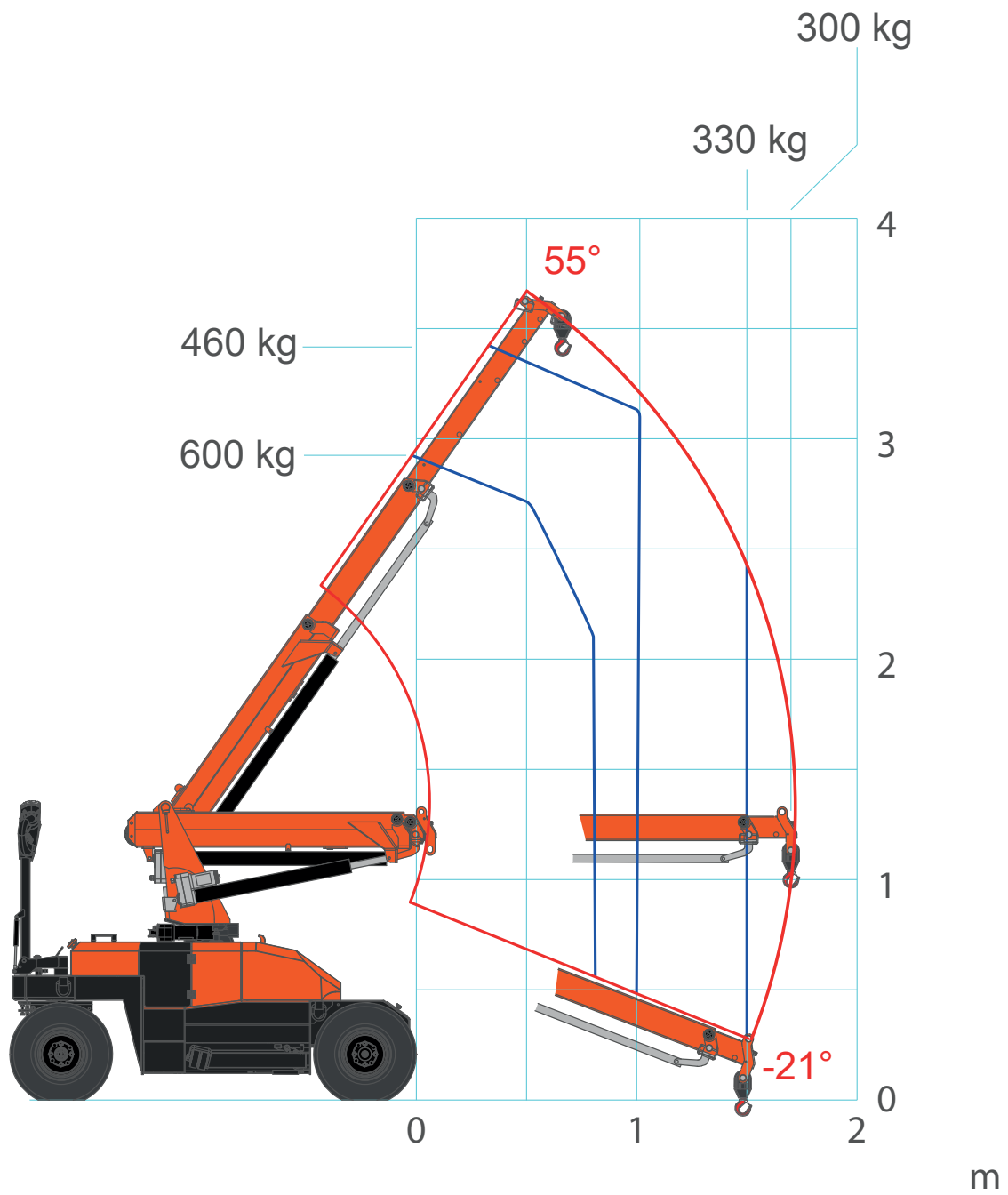
| ATTACHMENTS | | Name/ version | kg | |
|---|---|------------------|-----------|----|
| |  | Jib | JIB-MPK06 | 18 |
| |  | Manipulator | JVM06 | 80 |
|  | Manipulator | JVM06EV | 110 | |

| ELECTRIC |  | Battery | 2x 12V 155Ah | |
|-----------|--|-------------------|---------------------|-----------|
| |  | Power | 24V DC 3,0kW 4HP | |
| MOVEMENTS |  | Travel Speed | km/h | 3,6 |
| |  | Gradeability* | 13° (23%) | |
| |  | Back Wheel Force | kg | 265 |
| |  | Front Wheel Force | | 750 |
| |  | Working Angle | -21° / 55° | |
| |  | Slewing | -10° / 10° | |
| |  | Boom Telescoping | m | 1,2 - 2,8 |
| | | s | 37 | |

*: Max value only for short distance and a maximum of 30 seconds. Forward movement at maximum gradeability is intended with extended boom and without load

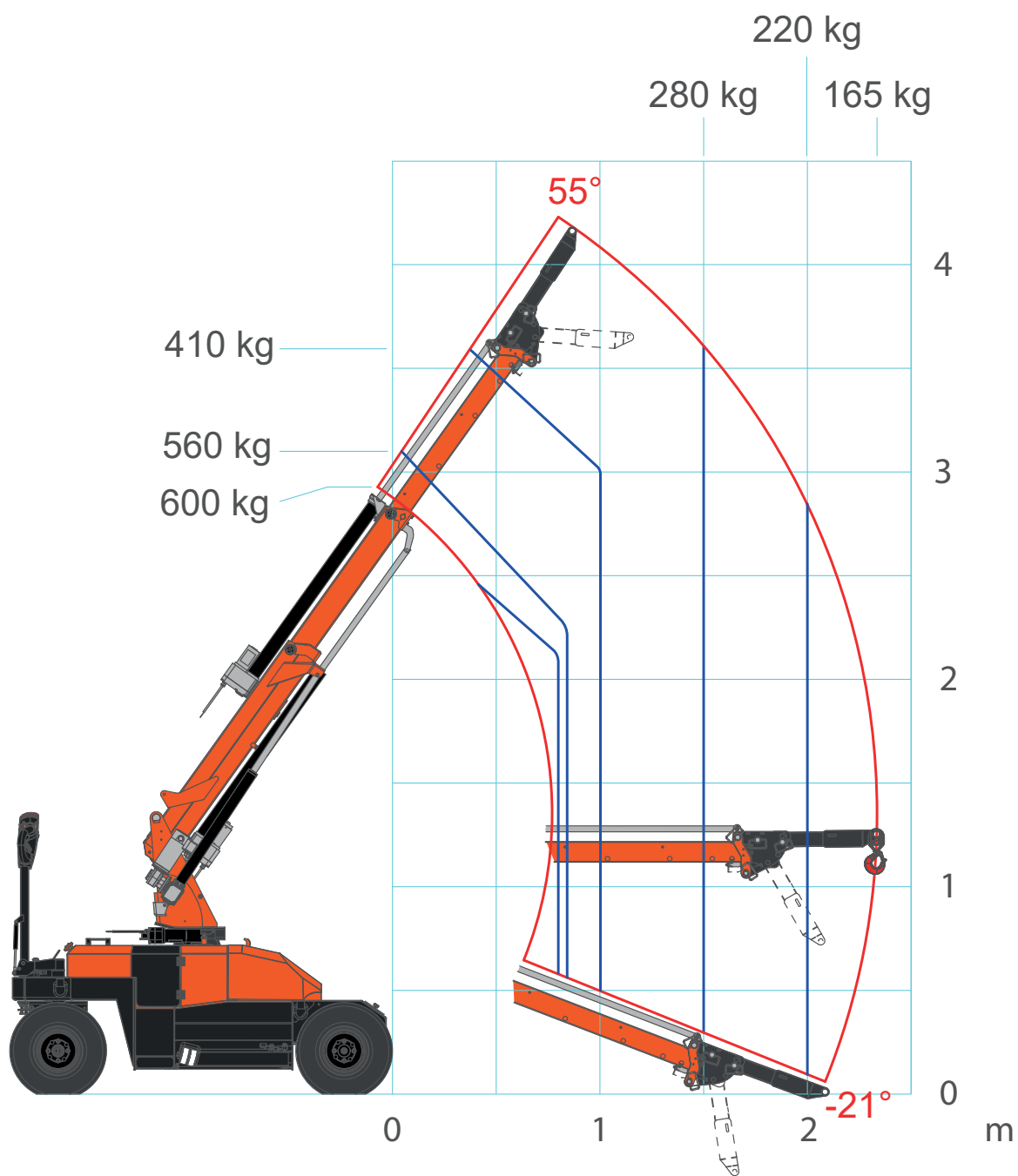
MPK06V/06.2V - MAIN BOOM

with HOOK

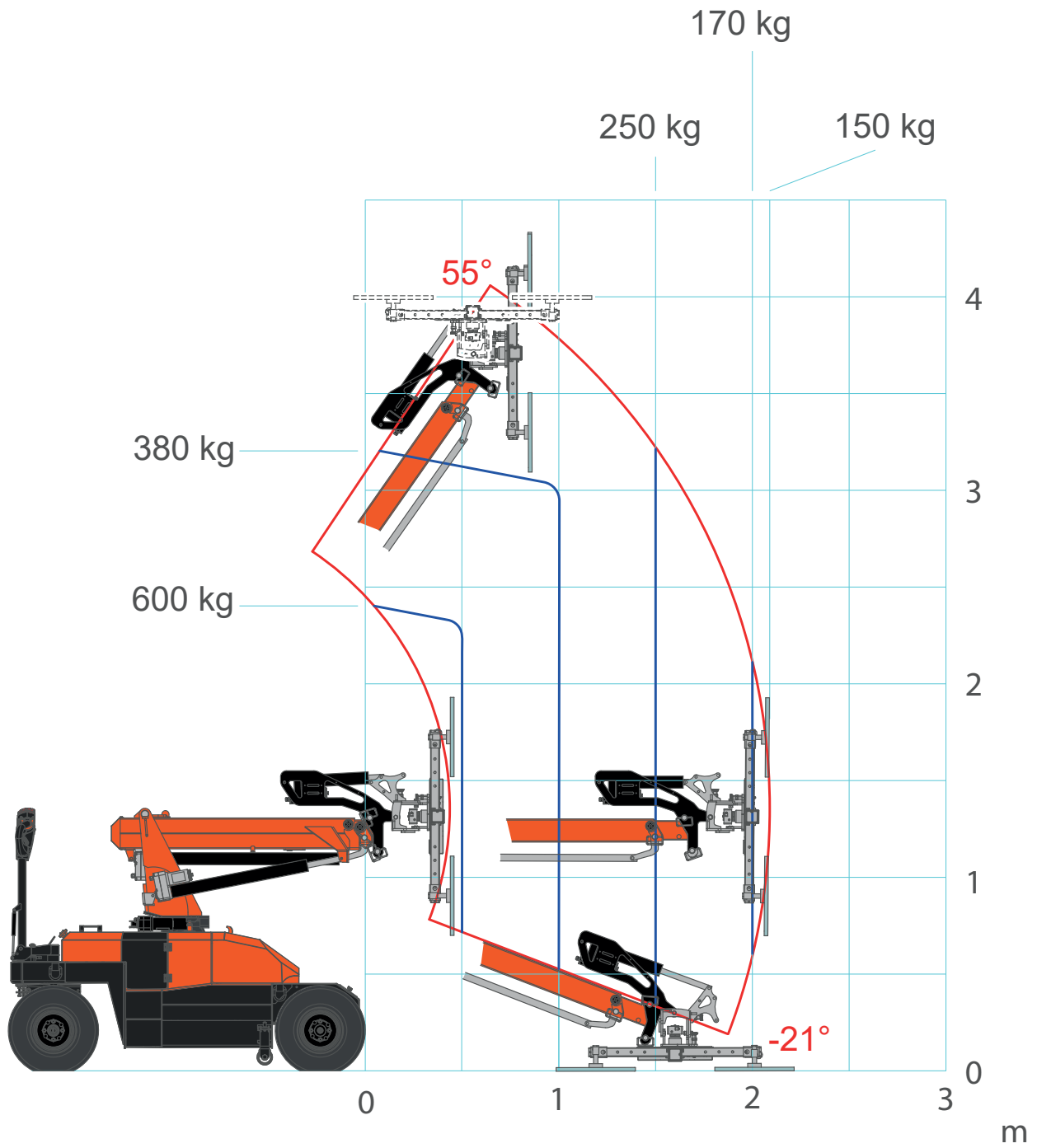


MPK06V/06.2V - JIBMPK06

with HOOK



MPK06V/06.2V - JVM06/06EV



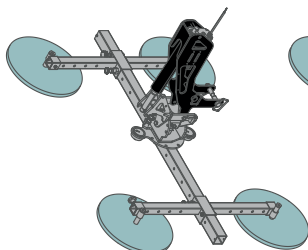
ACCESSORIES MPK06V/06.2V

ATTACHMENTS & TOOLS

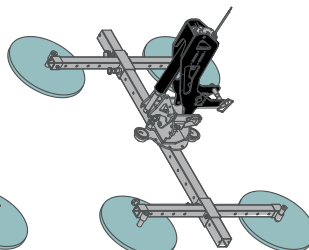
JIB-MPK06



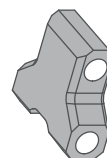
JVM06



JVM06EV




EXTRA-LINK



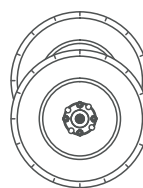
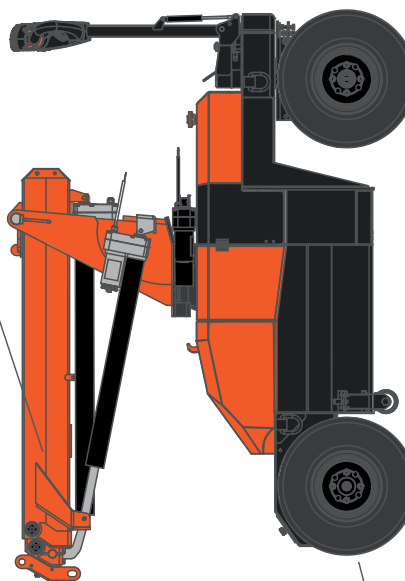
BATTERY CHARGERS



 BC-110V30A

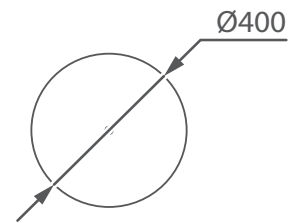
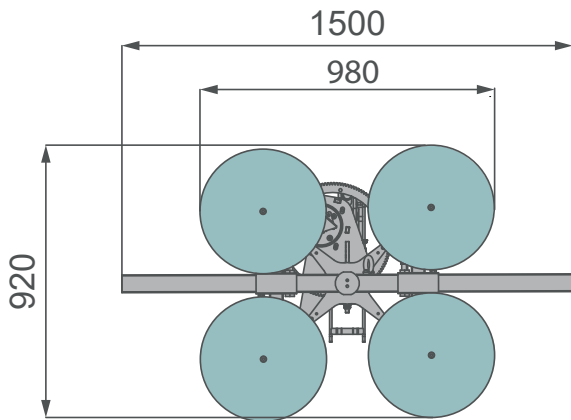
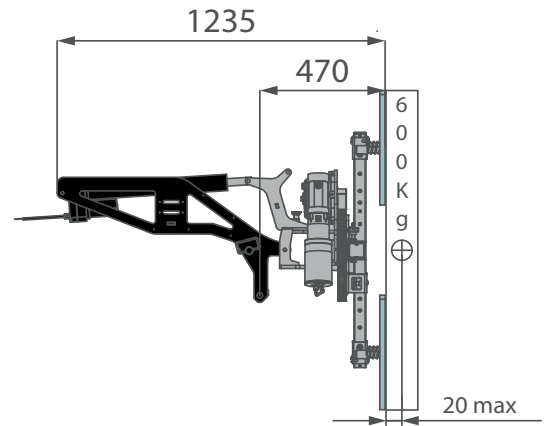
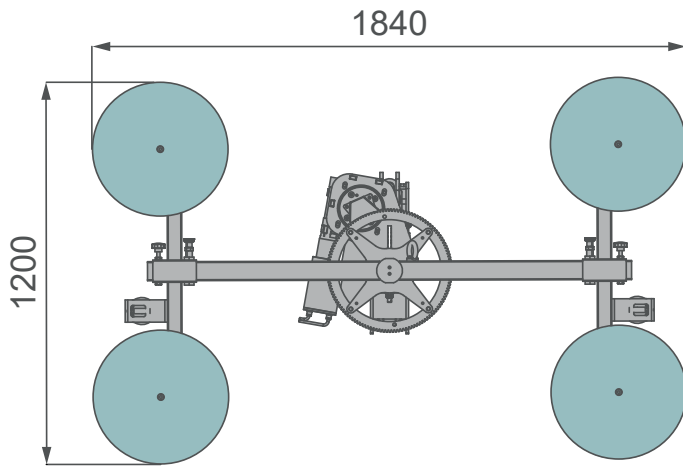


 BC-220V30A



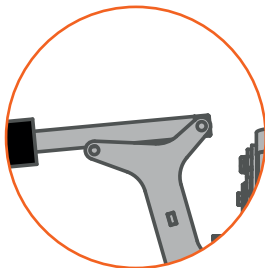
WT-MPK04-06

ACCESSORIES FEATURES JVM06EV

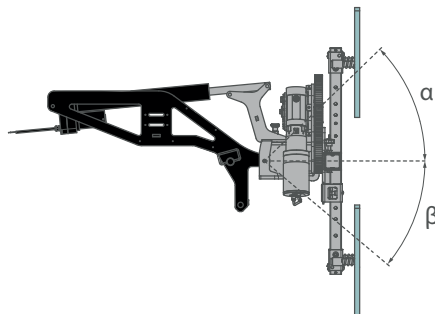
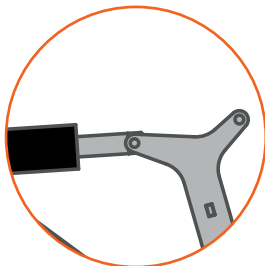


JVM06R CONFIGURATIONS

CONFIGURATION 1



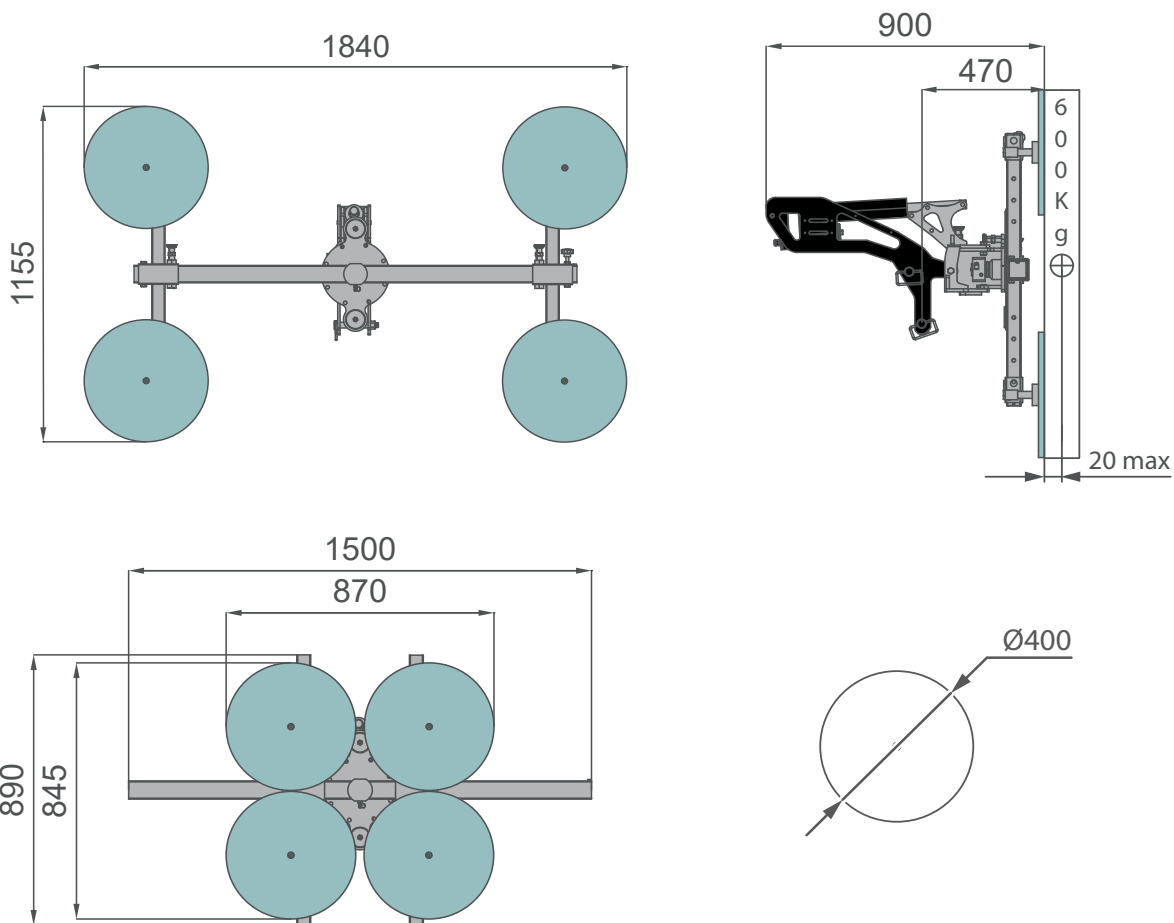
CONFIGURATION 2



| | α | β |
|---|----------|---------|
| 1 | 40° | 44° |
| 2 | 14,5° | 70° |

[mm]

ACCESSORIES FEATURES JVM06

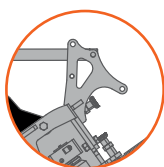


JVM06 CONFIGURATIONS

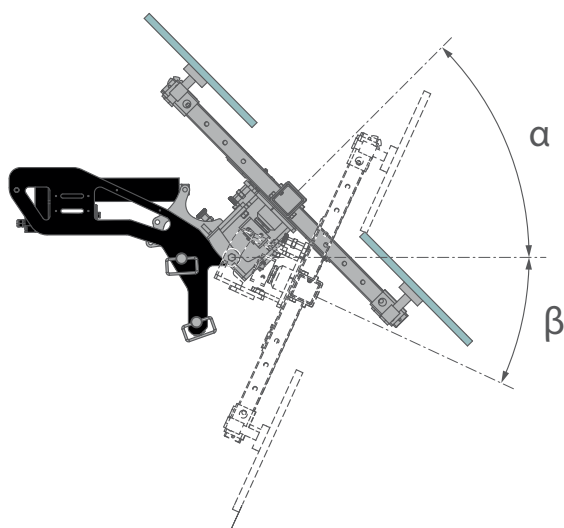
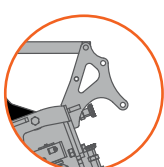
CONFIGURATION 1



CONFIGURATION 2



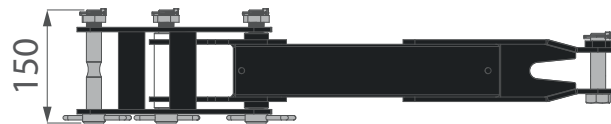
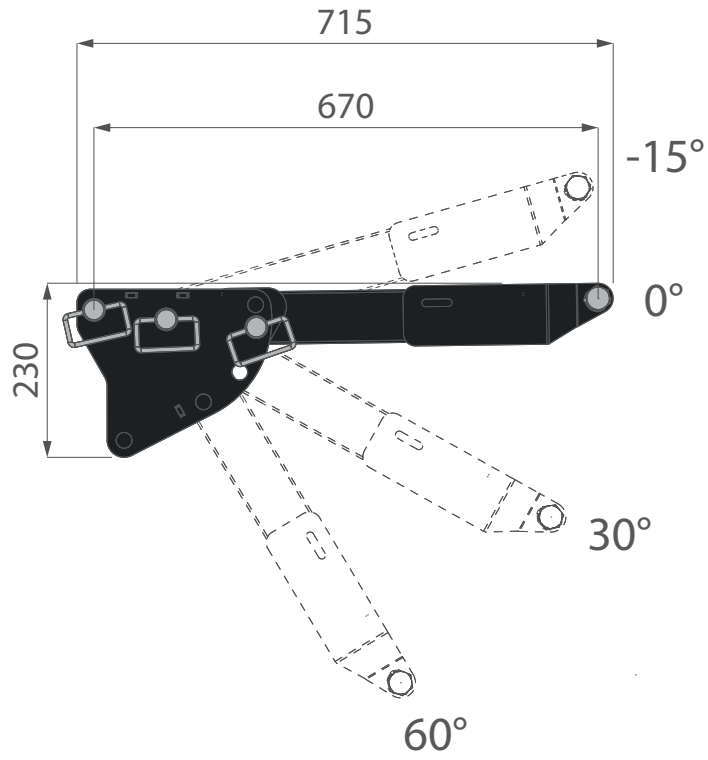
CONFIGURATION 3



| | α | β |
|---|----------|---------|
| 1 | 45° | 25° |
| 2 | 15° | 55° |
| 3 | 0° | 70° |

















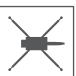








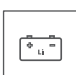
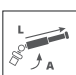



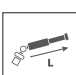



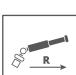

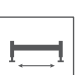

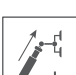



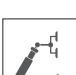



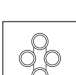





[mm]

JIBMPK06



[mm]

SYMBOLS

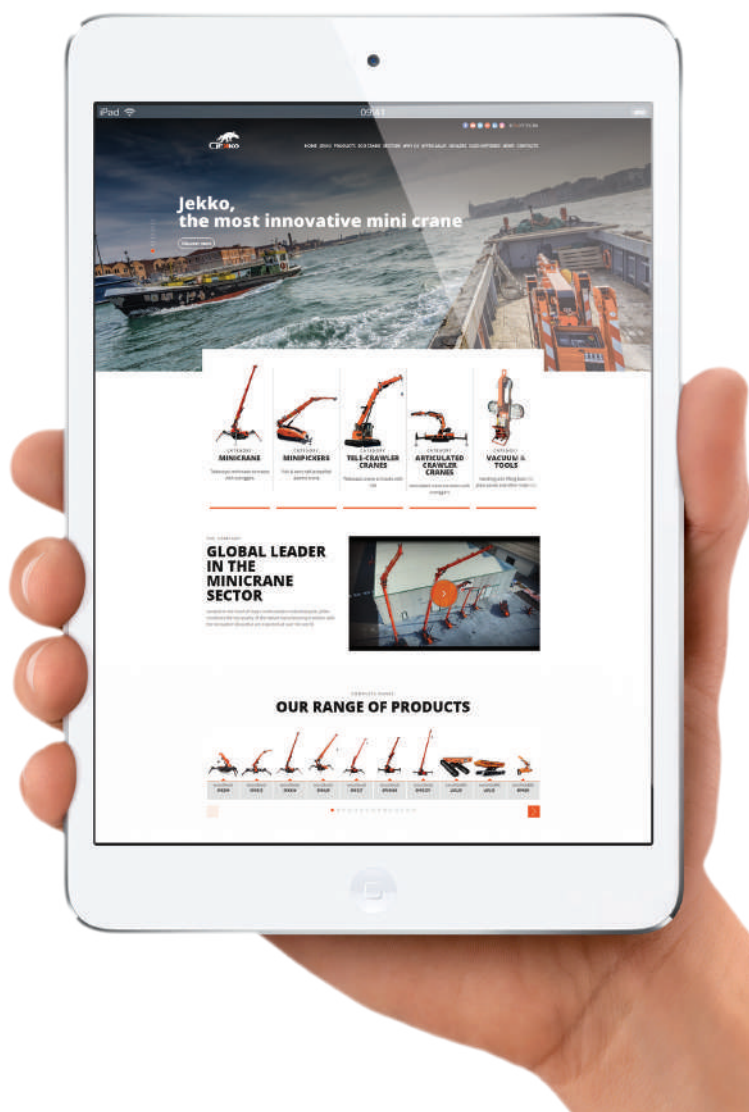
| | | | | | | | |
|---|-------------------------|---|------------------|---|-----------------------|---|--------------------------------------|
|  | Weight |  | Engine |  | Boom Angle |  | Minipicker |
|  | Counterweight |  | Diesel Fuel |  | Boom Length |  | Back Wheel Loading Point |
|  | Crane |  | Petrol Fuel |  | Boom Radius |  | Front Wheel Loading Point |
|  | Dimensions L x W x H |  | Tank |  | Jib on Board |  | Working Radius |
|  | Stabilization Area |  | Power kW |  | Without Jib on Board |  | Stabilizing Bar |
|  | Travel Speed |  | Battery |  | Jib Hook Radius |  | EN Standard |
|  | Gradeability |  | Lithium Battery |  | Jib Length and Angle |  | Factory max. load |
|  | Outrigger Load MAX |  | Powerpack AUX |  | Jib Length |  | Building site max. load |
|  | Track Loading |  | Main Winch |  | Jib Radius |  | Maximum inclination of the machinery |
|  | Outriggers Setup |  | Hookblock |  | Manipulator Length |  | Hydraulic oil |
|  | Ext Tracks Width w |  | Slewing |  | Manipulator Radius |  | Winter Warm-up Kit |
|  | Chart on Tracks |  | Slewing Locked |  | Number of vacuum pads |  | Horizontal Boom Angle |
|  | Slope |  | Outriggers mats |  | Grabber |  | White Pads for Steel Tracks |

REMARKS REFERRING TO LOAD CHART

- The load charts are calculated according to EN 13000.
- For the calculation of the load charts at least a wind speed of 9m/s (33km/h) and regarding the load a sail area of 1m² per ton load and a wind resistance coefficient of 1.2 on the load have been taken into account. For lifting of loads with large sail areas and/or high wind resistance coefficients the maximum wind speed as stated in the load charts has to be reduced.
- Lifting capacities are given in kilograms.
- The weight of the hook blocks and hooks is part of the load and therefore it must be deducted from the lifting capacities.
- Working radii are measured from the slewing centre.
- The lifting capacities given for the telescopic boom apply if the folding jib is removed.
- Subject to modification of lifting capacities.

**YOUR
JEKKO
DEALER**

EN All specifications and features herein described can be changed without prior advice. All indicated data are indicative only and are not binding as crane performs differently depending on its use. **IT** Tutte le caratteristiche e le specifiche descritte possono essere soggette a variazioni senza preavviso. Tutti i dati riportati sono forniti a puro titolo informativo e non sono impegnativi dal momento che le prestazioni della macchina variano in funzione dell'utilizzo. **DE** Unangekündigte Änderungen sämtlicher Eigenschaften und Daten sind möglich. Alle Angaben sind Richtwerte und nicht verbindlich da die Leistungen der Vorrichtung von deren Einsatz abhängen. **ES** Todas las características y las especificaciones aquí indicadas pueden ser sujetas a variaciones sin aviso. Se dan todos los datos aquí indicados como simples informaciones. No se consideran como vinculantes, dado que las prestaciones del maquinario pueden variar. **FR** Toutes les caractéristiques et le spécifications descriptives peut être sujet à variation sans préavis. Tout les données rapportés sont fourni à titre informatif et ne sont pas engager au moment que la prestation de la machine change en fonction de l'emploi.



www.jekko-cranes.com

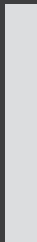
Visit jekko-cranes.com to keep in contact with us, discover all the latest news and find out technical details of all our products.



Jekko s.r.l.

Via Campardone, 1 - 31014 Colle Umberto (TV) - Italy
info@jekko.it - www.jekko-cranes.com

SERIAL NUMBER:



17.11.2021 | Rev.5